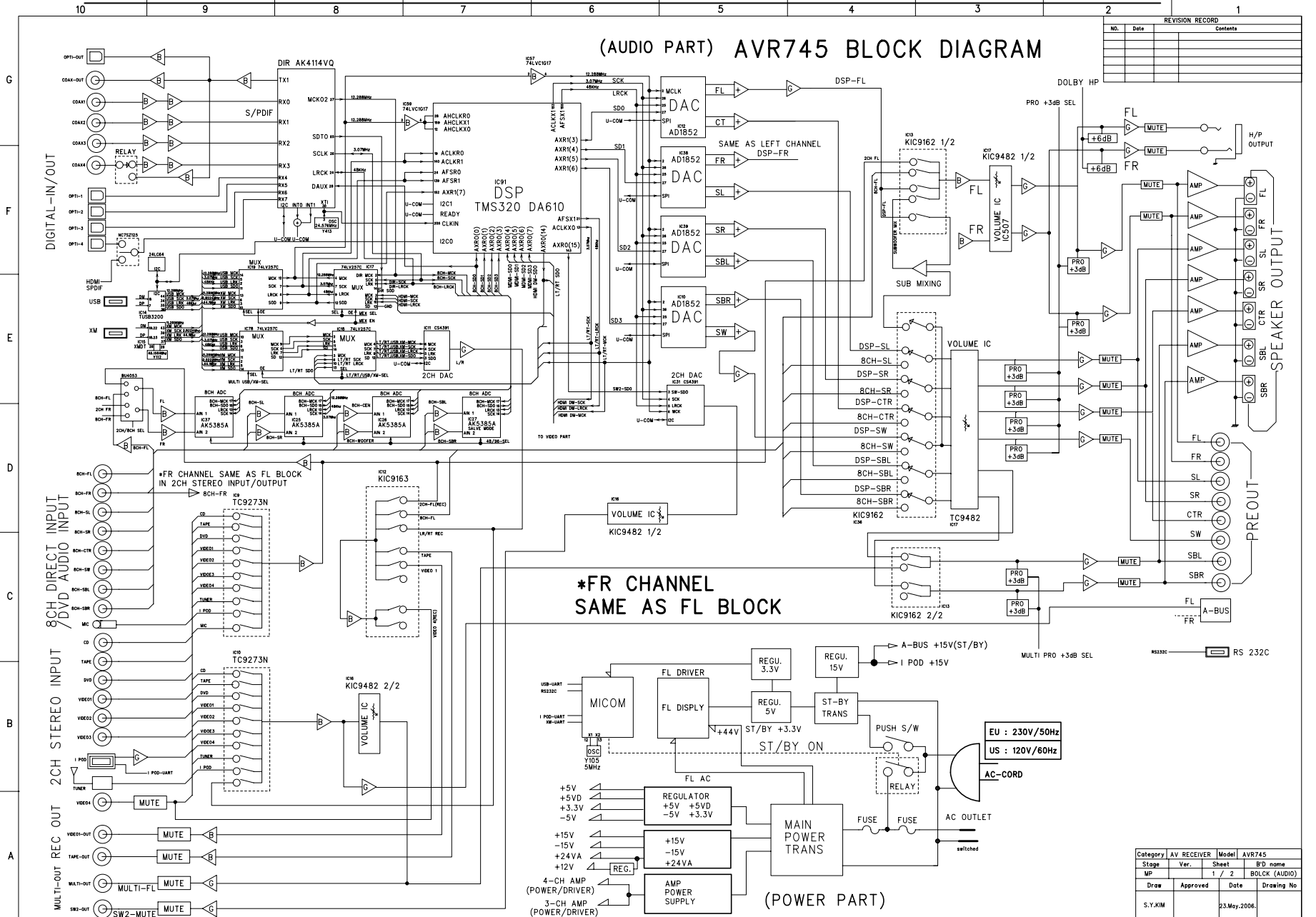


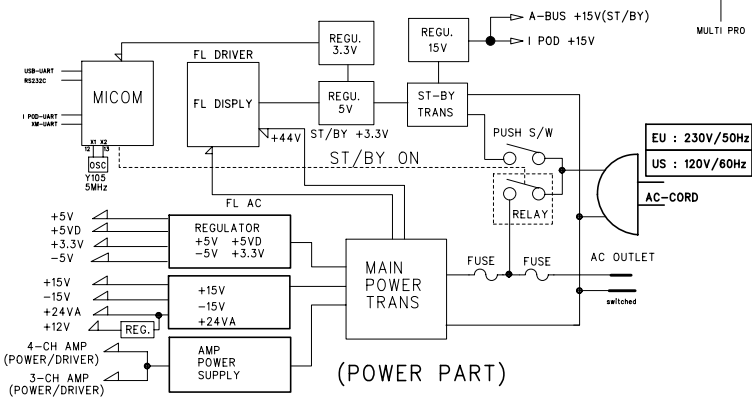
(AUDIO PART) AVR745 BLOCK DIAGRAM

REVISION RECORD		
No.	Date	Contents



*FR CHANNEL SAME AS FL BLOCK

(POWER PART)

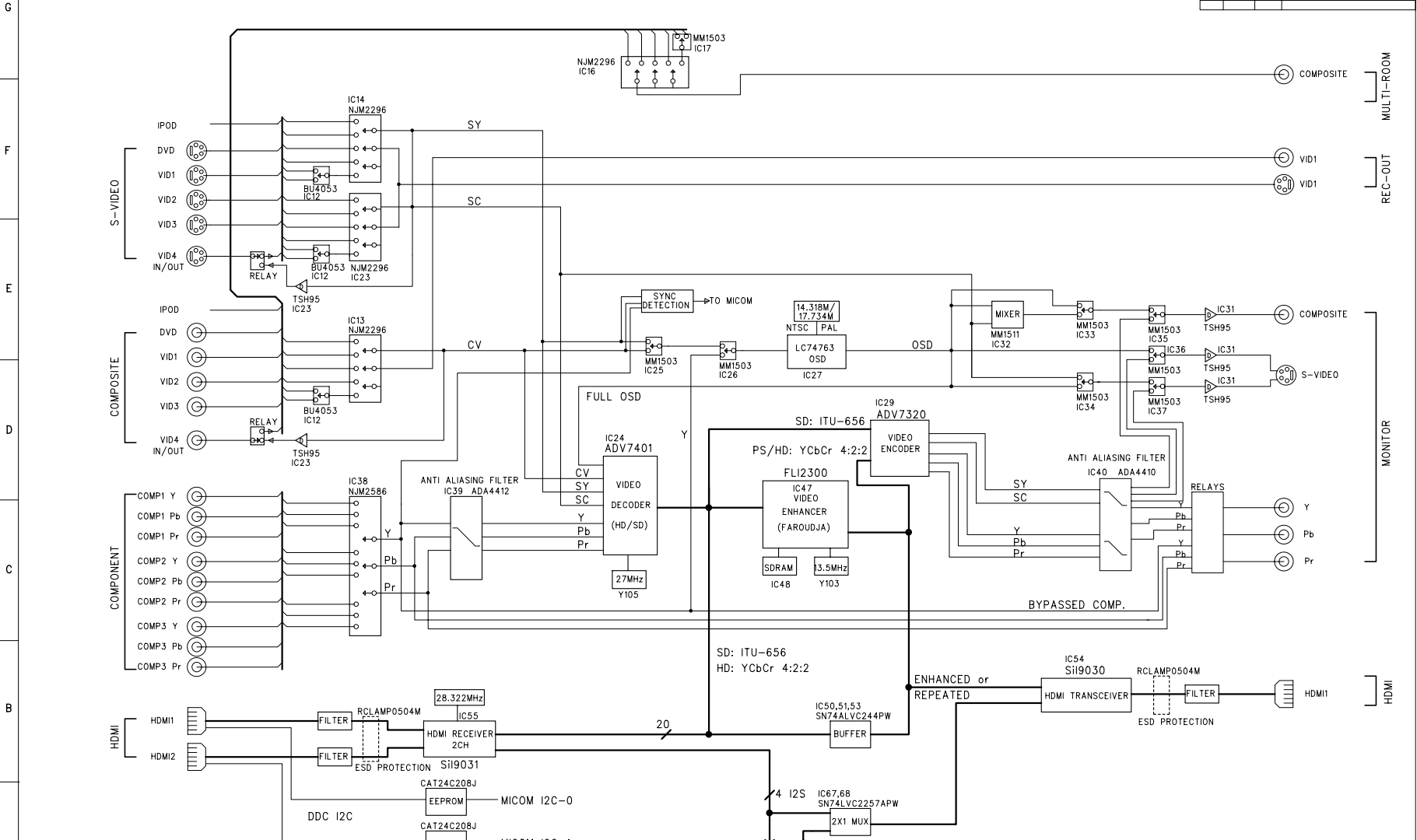


Category	AV RECEIVER	Model	AVR745
Sheet	1	2	BOLCK (AUDIO)
Draw	Approved	Date	Drawing No
S.Y.KIM		23.May.2006.	

10 9 8 7 6 5 4 3 2 1

AVR745 BLOCK DIAGRAM of VIDEO PART

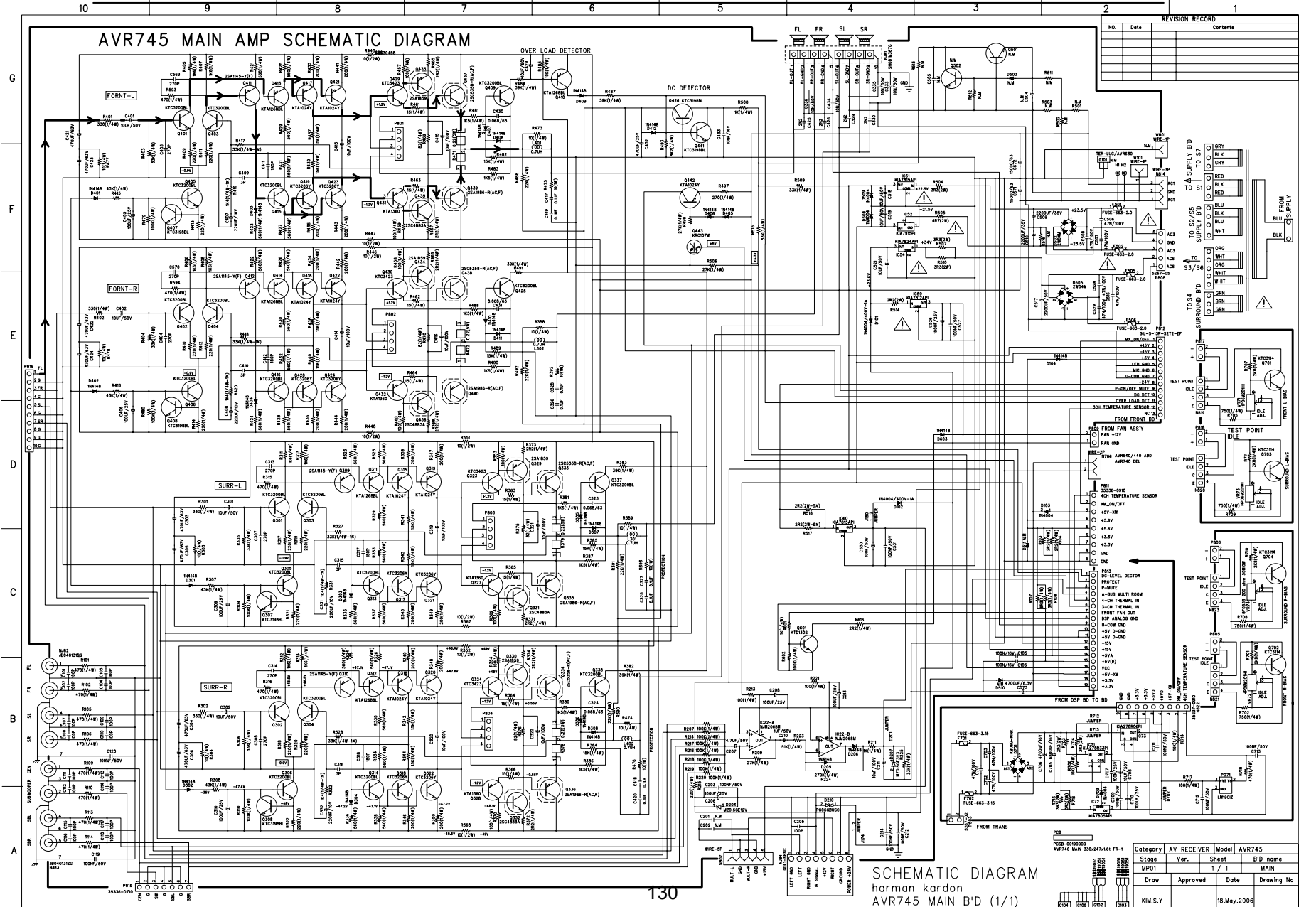
REVISION RECORD		
NO.	Date	Contents



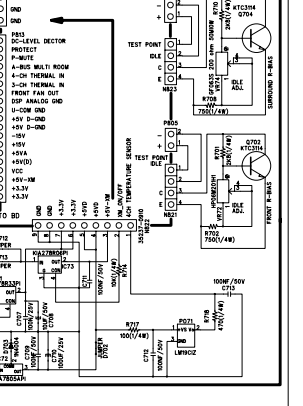
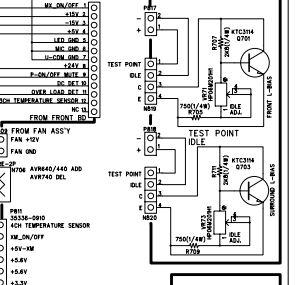
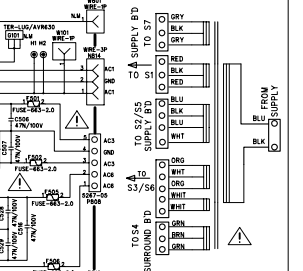
TO AUDIO DSP FROM AUDIO DSP

Category	AV RECEIVER	Model	AVR745
Scale	Ver.	Sheet	B'D name
MP		2 / 2	BLOCK (VIDEO)
Draw	Approved	Date	Drawing No
S.Y.KIM		23.May.2006	

AVR745 MAIN AMP SCHEMATIC DIAGRAM



NO.	Date	REVISION RECORD	Contents



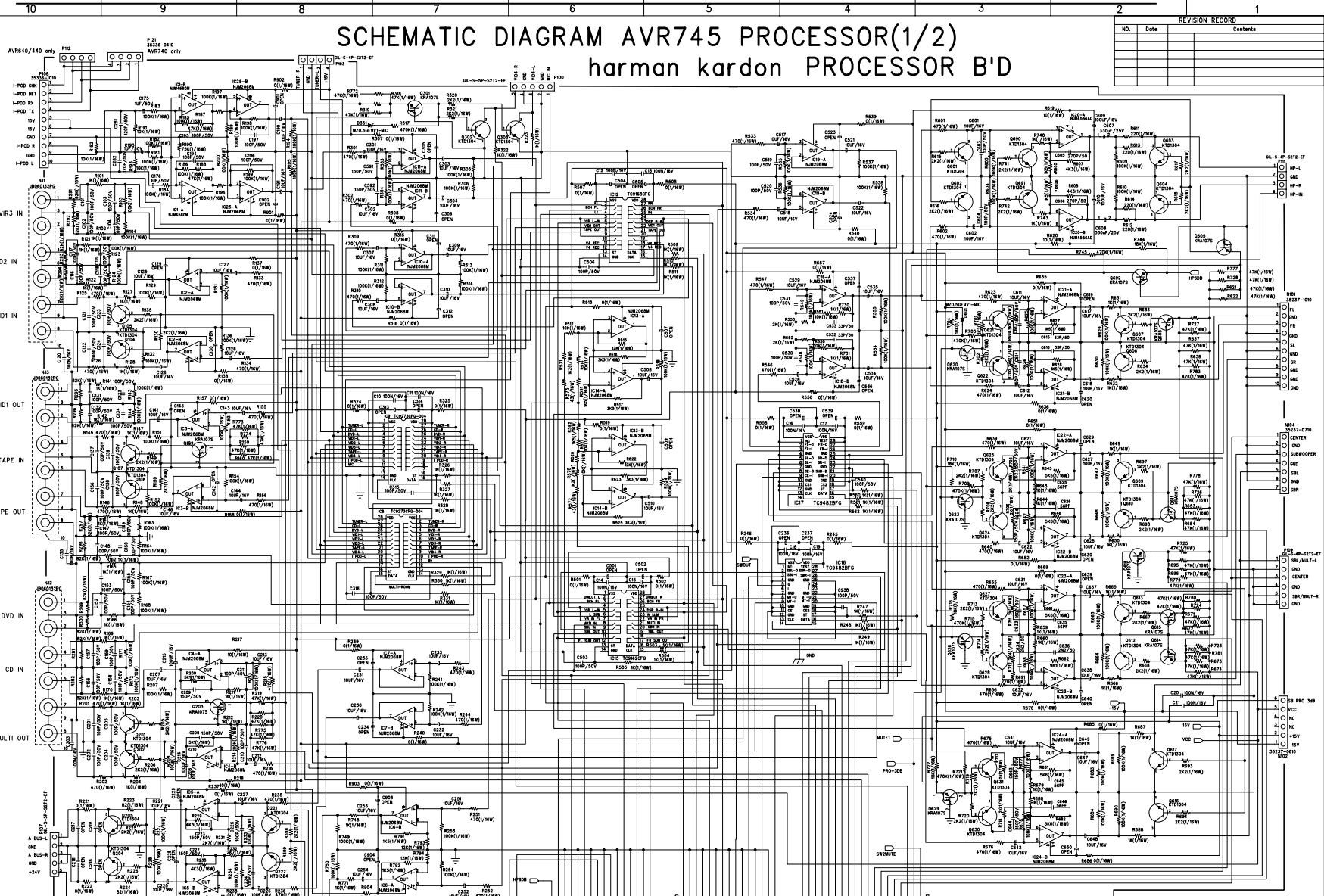
SCHMATIC DIAGRAM
 harman kardon
 AVR745 MAIN B'D (1/1)

Category	AV RECEIVER	Model	AVR745
Sheet	1 / 1	B'D name	MAIN
Draw	Approved	Date	Drawing No
KIM.S.Y		18.May.2006	

SCHEMATIC DIAGRAM AVR745 PROCESSOR(1/2)
harman kardon PROCESSOR B'D

REVISION RECORD		
NO.	Date	Contents

G
F
E
D
C
B
A



DSP PASS

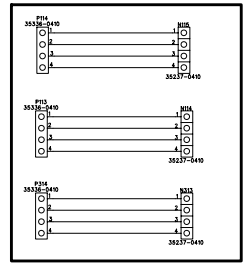
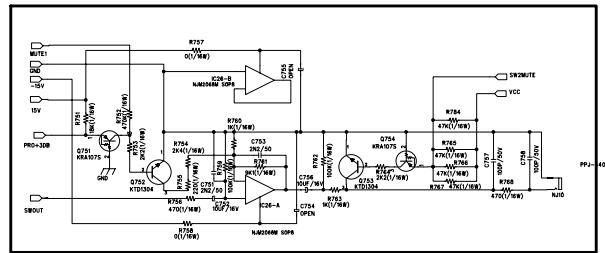
131

DIRECT PASS

Category: AV RECEIVER Model: AVR745
 Stage: Ver. Sheet B'D name
 1 / 2 PROCESSOR
 Draw Approved Date Drawing No
 J.S.CHOI 16.May.2006

REVISION RECORD		
NO.	Date	Contents

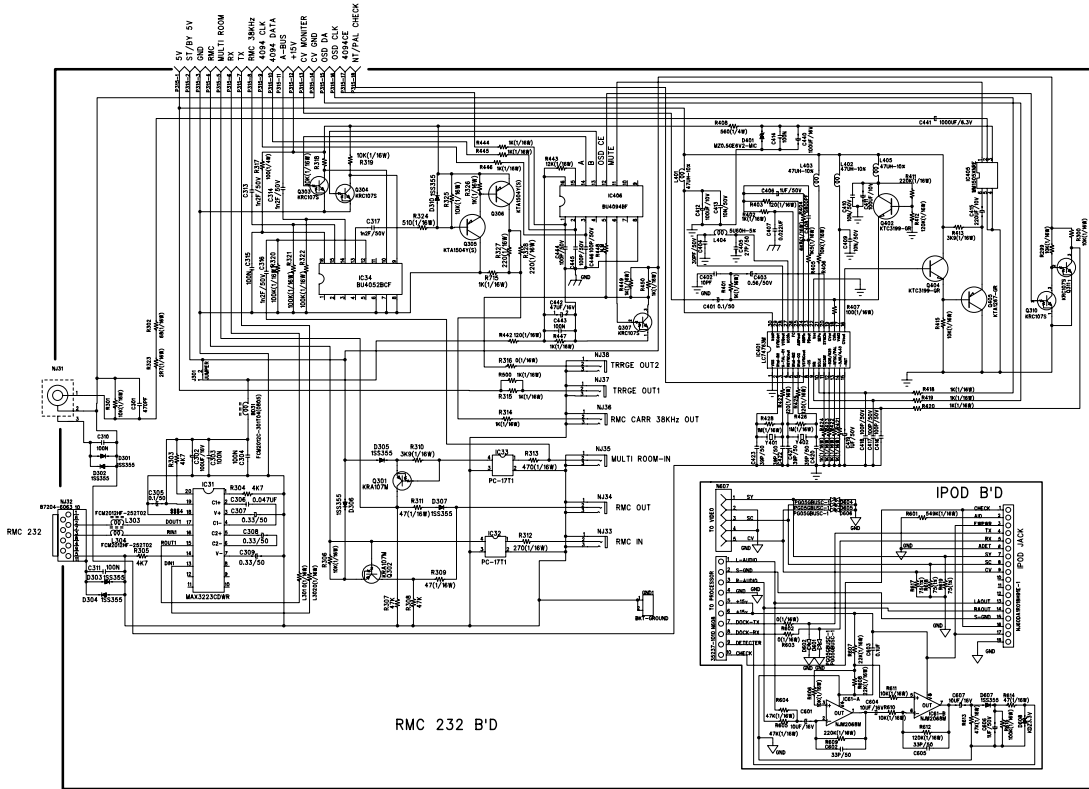
SCHEMATIC DIAGRAM AVR745 PROCESSOR (2/2)
harman kardon PROCESSOR B'D



Category	AV RECEIVER	Model	AVR745
Stage	Ver.	Sheet	B'D name
MP		2 / 2	PROCESSOR
Draw	Approved	Date	Drawing No
J.S.CHOI		16.May.2006	

REVISION RECORD		
NO.	Date	Contents

AVR745 RS232 SCHEMATIC DIAGRAM

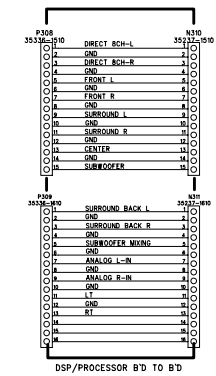
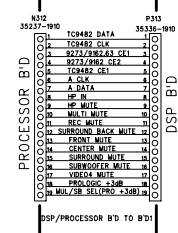
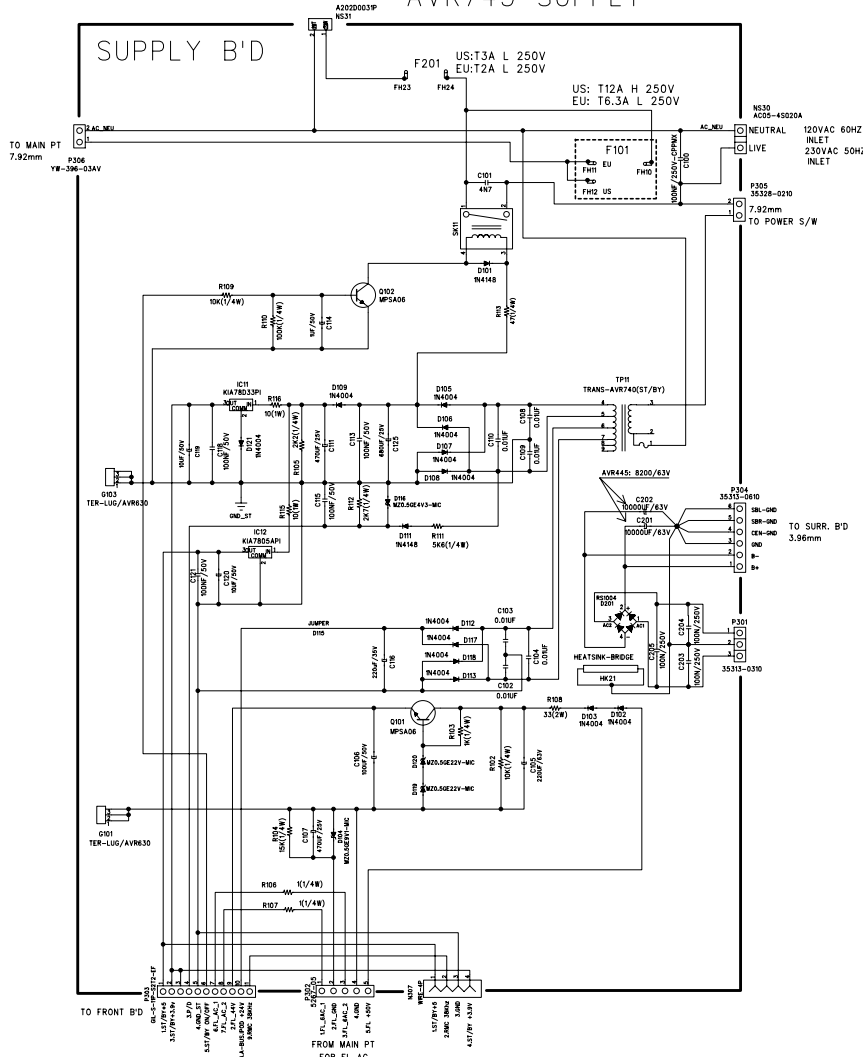


RMC 232 B'D

Category	AV RECEIVER	Model	AVR745
Sheet	7	B'D name	RS232
Draw	S.Y. JKM	Approved	Date
			16.May.2006

SCHEMATIC DIAGRAM
harman kardon
AVR745 SUPPLY

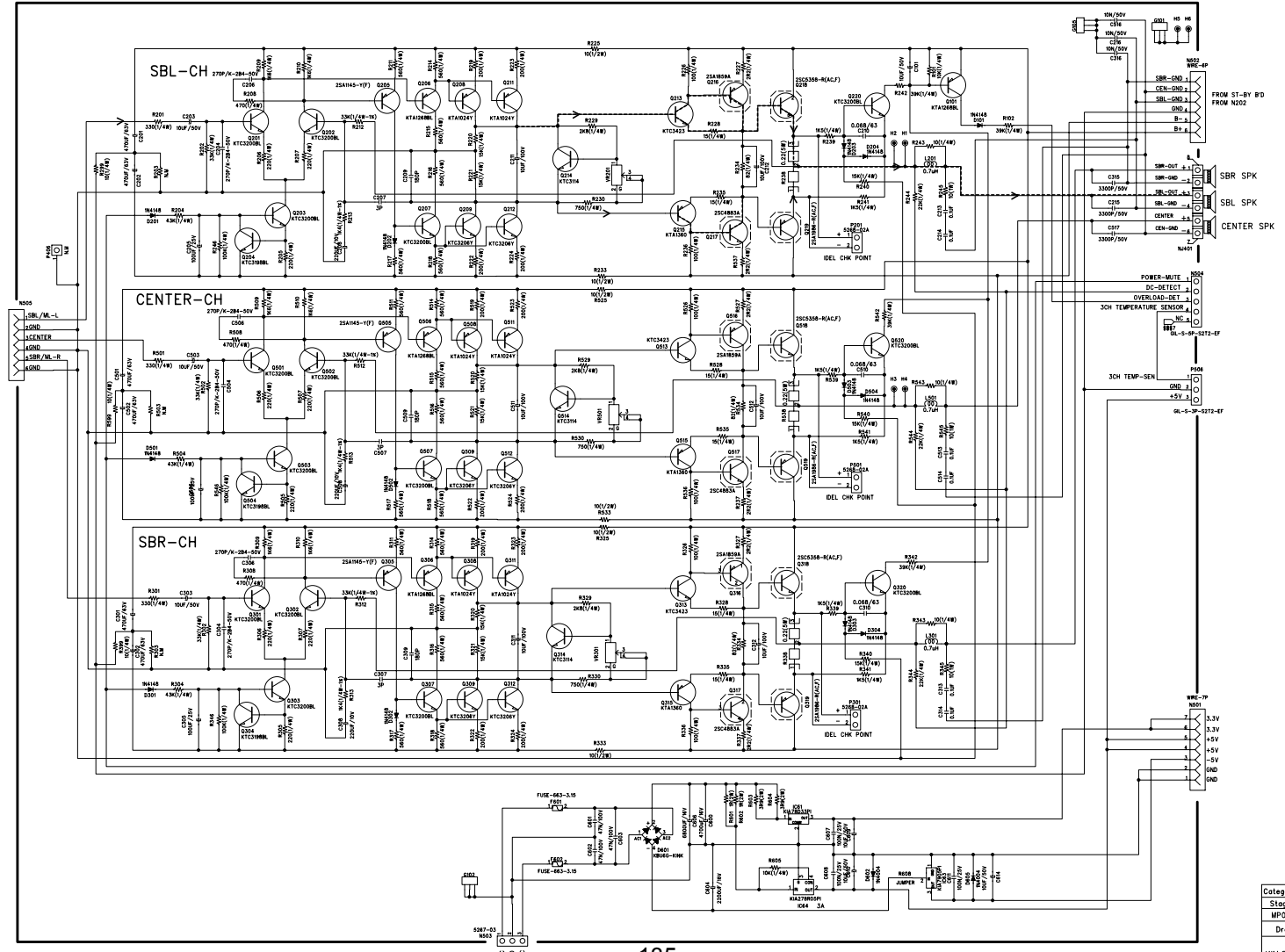
REVISION RECORD		
NO.	Date	Contents



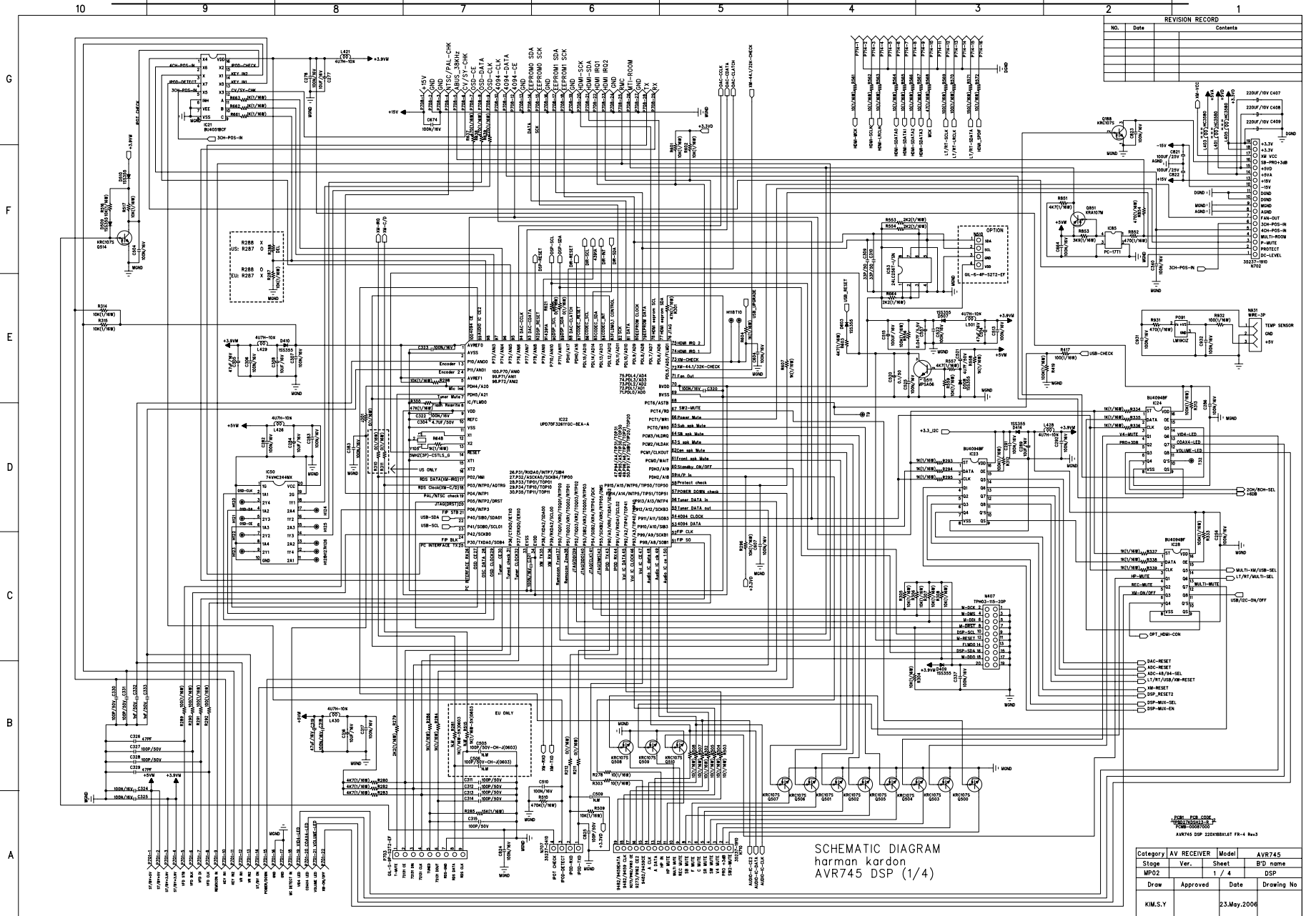
Category	AV RECEIVER	Model	AVR745
Stage	Ver.	Sheet	B'D name
MP01		1 / 1	SUPP/REGU
Draw	Approved	Date	Drawing No.
S.Y. .XIM		16.May.2006	

SCHEMATIC DIAGRAM AVR745 CENTER SB AMP B'D
harman kardon

REVISION RECORD		
NO.	Date	Contents



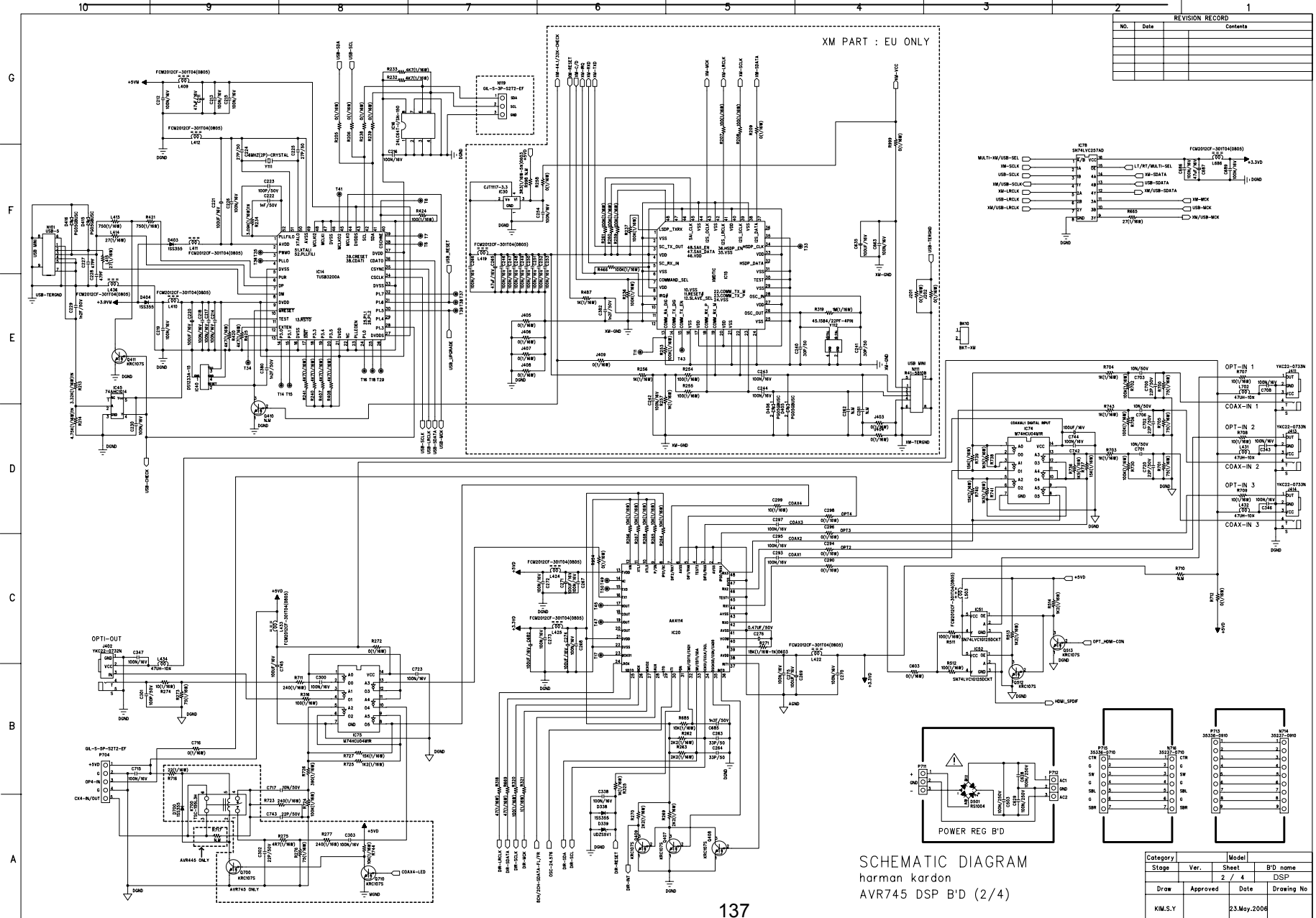
Category	AV RECEIVER	Model	AVR745
Stage	Ver.	Sheet	B'D name
MP01		1 / 1	SURROUND
Draw	Approved	Date	Drawing No
KIM.S.Y		16.May.2006	



REVISION RECORD		
NO.	Date	Contents

SCHEMATIC DIAGRAM
harman kardon
AVR745 DSP (1/4)

Category	AV RECEIVER	Model	AVR745
Stage	Var. Sheet	B/D Name	DSP
MPC#	1 / 4	Date	23.May.2006
Draw	Approved	Date	Drawing No
KIM.S.Y			

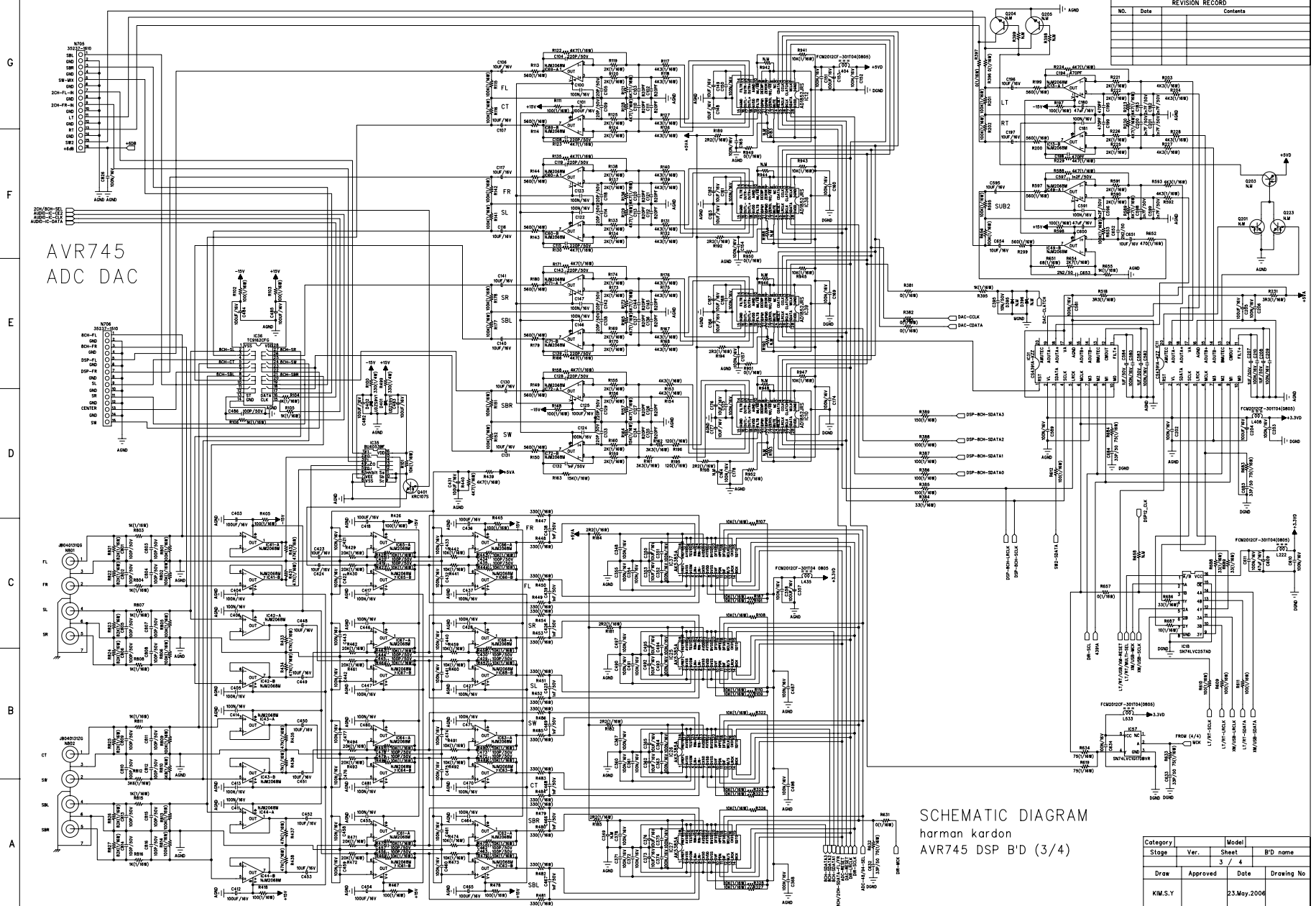


NO.	Date	Contents

SCHEMATIC DIAGRAM
harman kardon
AVR745 DSP B'D (2/4)

Category	Stage	Ver.	Sheet	Model	B'D name
			2 / 4	DSP	
Draw	Approved		Date		Drawing No
KIM.S.Y			23.May.2006		

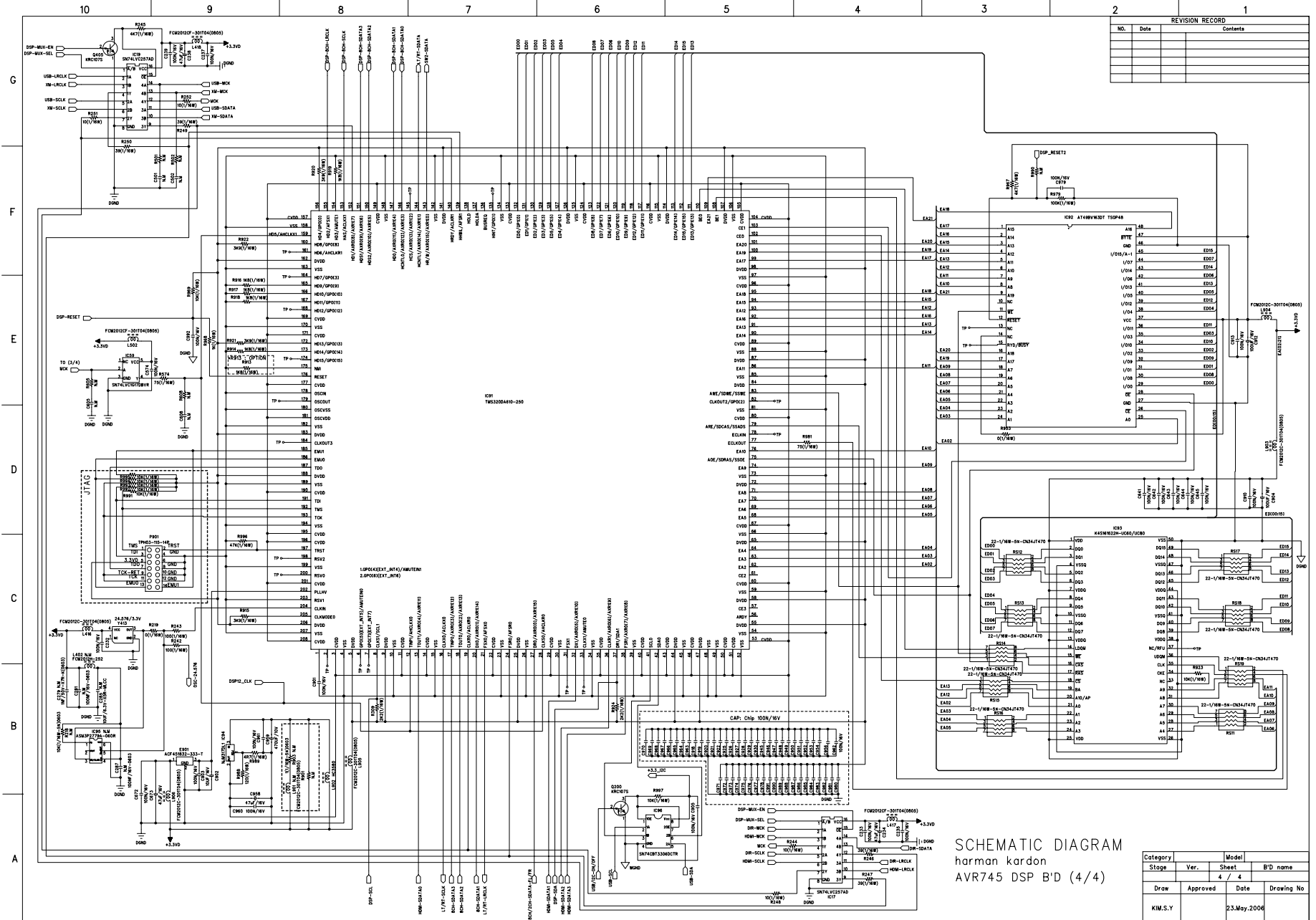
10 9 8 7 6 5 4 3 2 1



SCHEMATIC DIAGRAM harman kardon AVR745 DSP B'D (3/4)

Category	Model	Sheet	B'D name
Slope	Ver.	3 / 4	
Draw	Approved	Date	Drawing No
KIM.S.Y		23.May.2006	

REVISION RECORD		
NO.	Date	Contents



SCHEMATIC DIAGRAM
 harman kardon
 AVR745 DSP B'D (4/4)

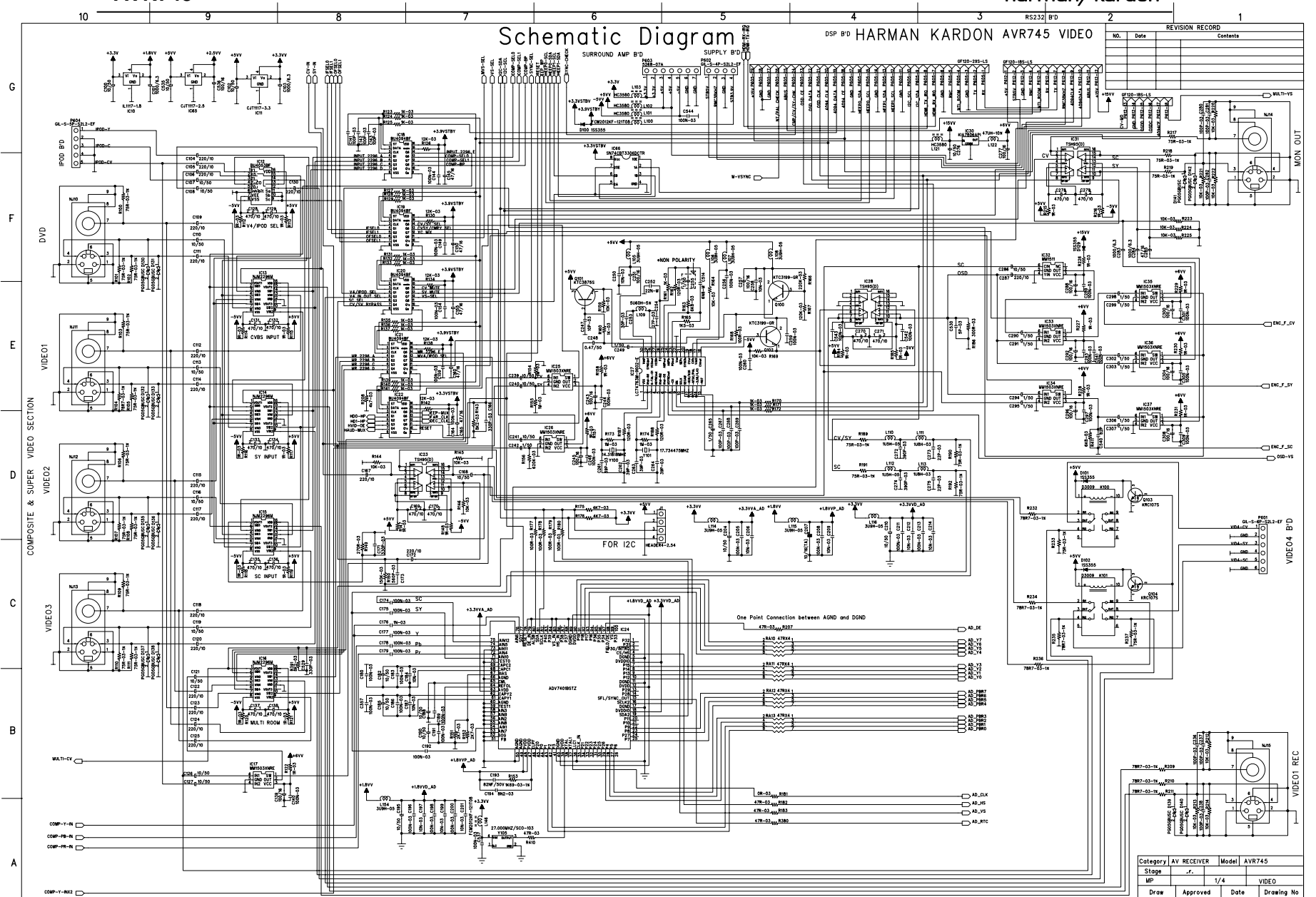
Category	Ver.	Sheet	Model	B'D name
		4 / 4		
Draw	Approved	Date	Drawing No	
KIM.S.Y		23.May.2006		

Schematic Diagram

DSP B'D HARMAN KARDON AVR745 VIDEO

RS232 B'D

REVISION RECORD		
NO.	Date	Contents



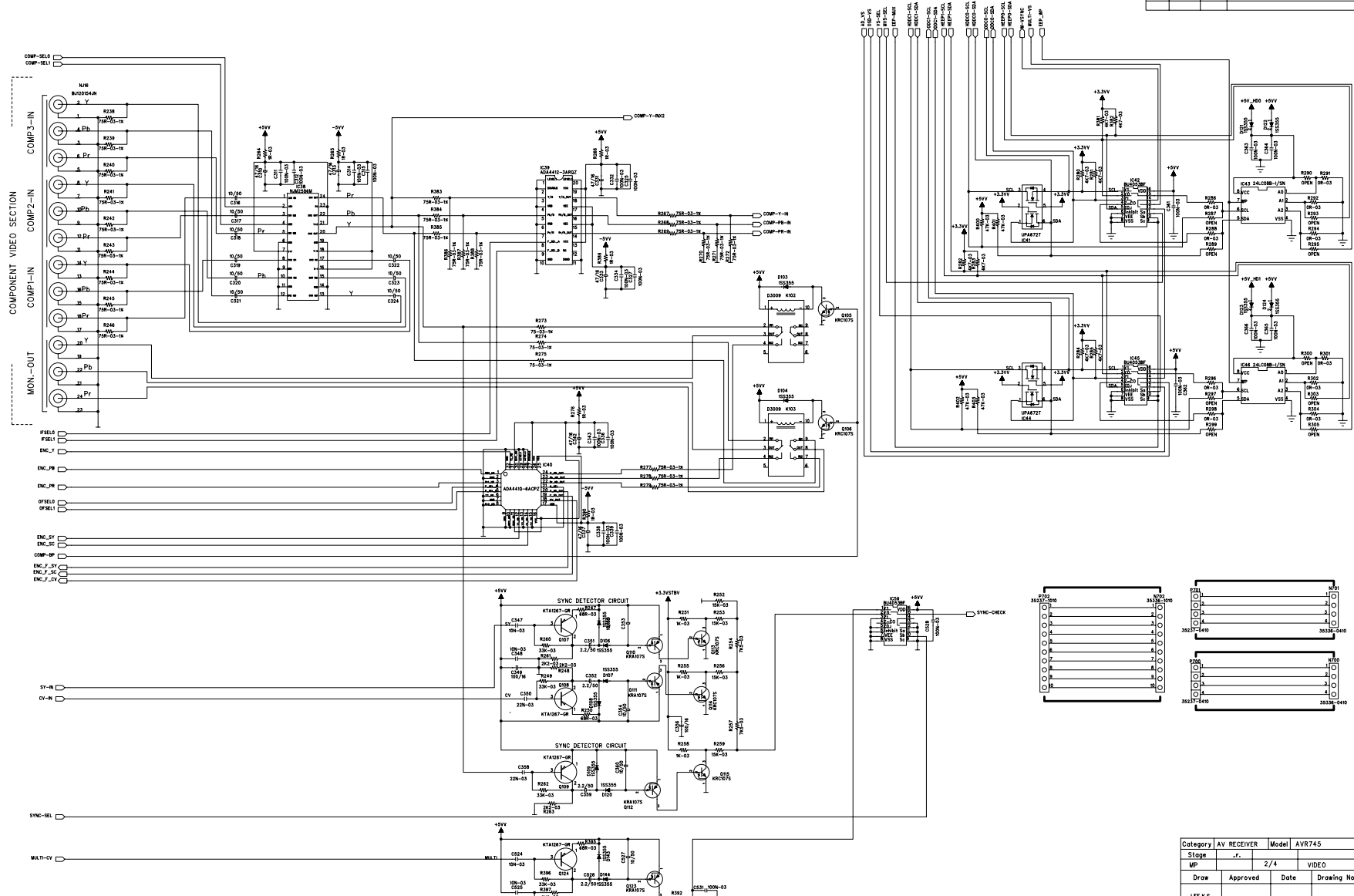
Category	AV RECEIVER	Model	AVR745
Scale	.1	Sheet	1/4 VIDEO
Draw	Approved	Date	Drawing No

Schematic Diagram

HARMAN KARDON
AVR745 VIDEO

REVISION RECORD		
NO.	Date	Contents

G
F
F
D
C
B
A

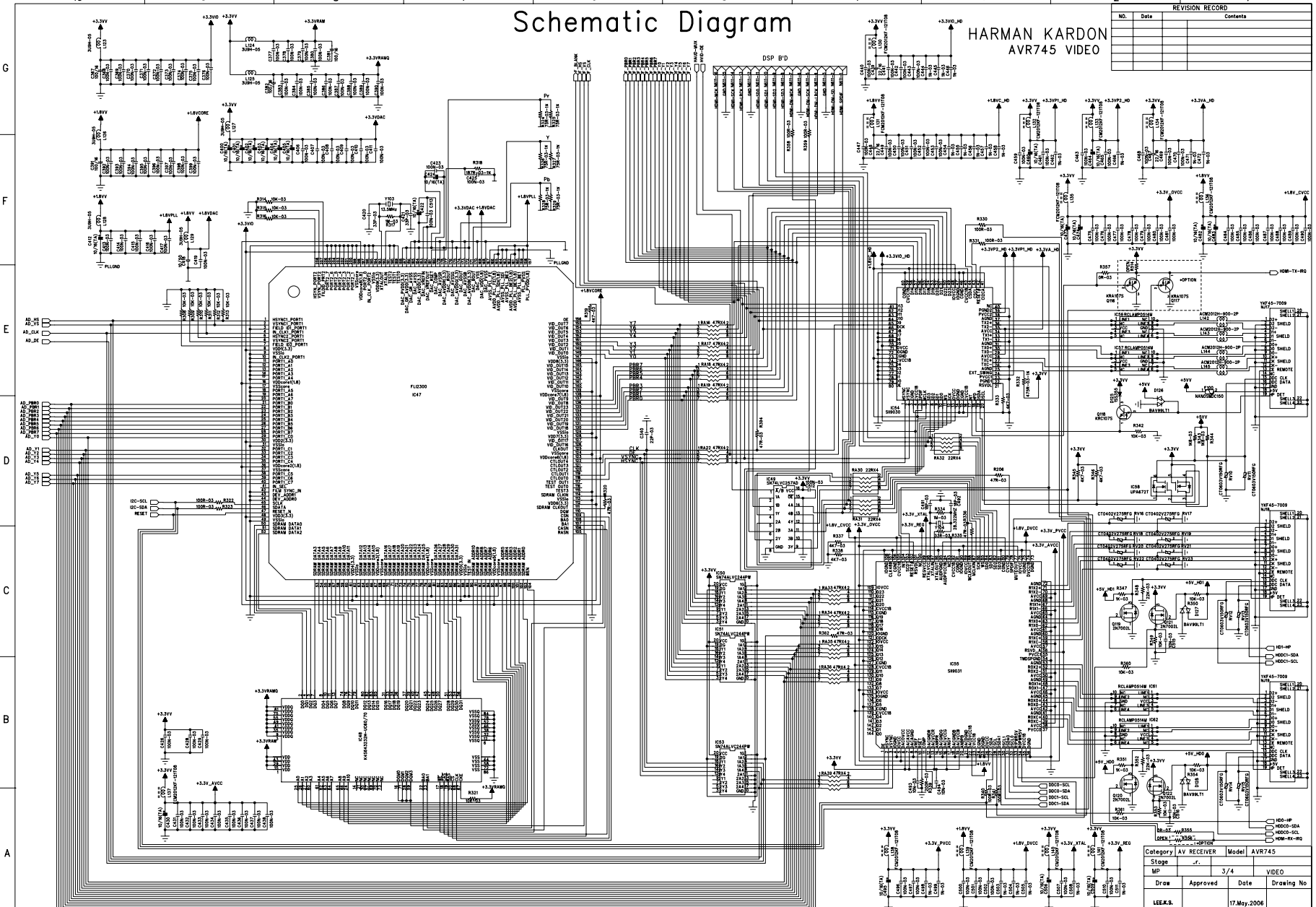


Category	AV RECEIVER	Model	AVR745
Stage	.r.	2/4	VIDEO
MP			
Draw	Approved	Date	Drawing No
LEE.K.S.		17.May.2006	

Schematic Diagram

HARMAN KARDON
AVR745 VIDEO

REVISION RECORD		
No.	Date	Contents



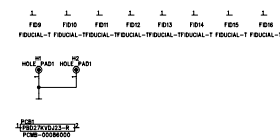
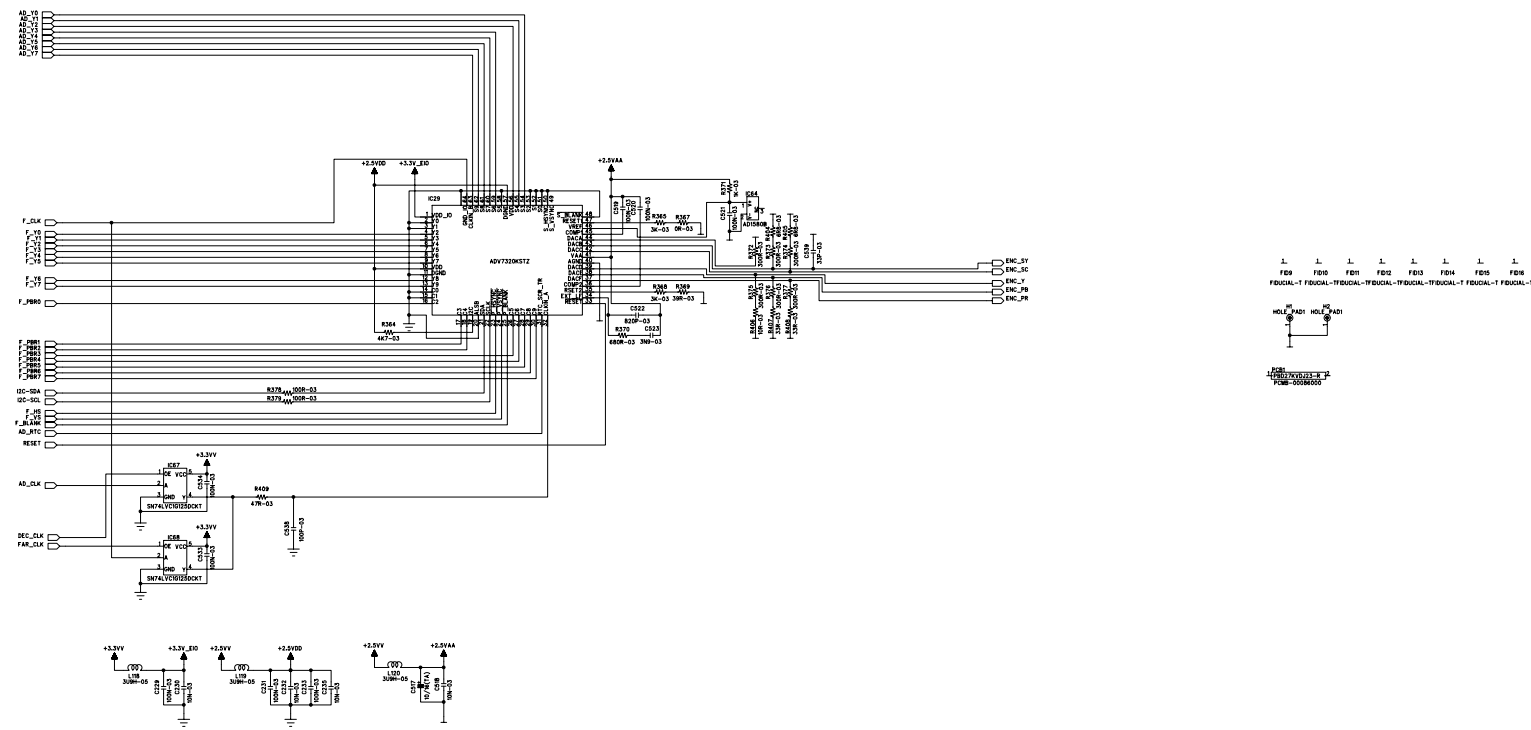
Category	AV RECEIVER	Model	AVR745
Stage	.r.		
MP		3/4	VIDEO
Draw		Date	Drawing No
LEEK.S.		17.May.2006	

Schematic Diagram

HARMAN KARDON
AVR745 VIDEO

REVISION RECORD		
No.	Date	Contents

G
F
E
D
C
B
A



Category	AV RECEIVER	Model	AVR745
Stage	Ver.	Sheet	B'D r
MP		4/4	VIDEO
Draw	Approved	Date	Drawing No
LEE.S.		17.May.2006	